

THE

SIDELIGHT



OFFICIAL PUBLICATION OF THE LAKE ERIE REGION, AACA



Paul Schrader's 1972 Monte Carlo

JANUARY 2021

VOL. 69 No. 1

FEATURES:

- President's message
- Activities message
 - New members
 - Activities page
- Article from Bob Morris



LER BOARD MEMBERS & CHAIRMEN FOR 2021

- 18-20 President Cliff Schulz
- 18-20 Vice President Tim Cryan
- 18-20 TreasurerJohn Haid
(Office)
- 20-22 Recording Secretary.....Linda Foster
- 19-21 Activities Co-Chairmen.....Lynelle Schloerb
- 20-22 Activities Co-ChairmenChuck Weimer
- 2020 Activities Awards ChairmanValerie Wilson
- 18-20 Membership Chairman.....Lon Wilson
- 19-21 Sunshine ChairmanSue Yearke
- 20-22 Split ClubDennis Powers
- 19-21 Publicity ChairmanMike Mesi
- 19-21 Legislative ChairmanKen Kaczka
- 20-22 2020 Show Co ChairmanCharles Facklam
- 19-21 2020 Show Co ChairmanMike Mesi
- 20-22 Youth ChairmanCharles Facklam
- 19-21 Youth Co ChairmanMike Mesi
- Property ChairmanCharles Facklam
- 2020 Chief JudgeBarb & Ray Noonan
- 2020 Overnighter None planned this year
- 2020 WebmasterJerry Ptak
- 2020 Sidelight Editor.....Valerie Wilson

LER EVENTS FOR 2021

No Activities Planned at this time

*This is a tentative schedule. The dates are subject to change, so check this list monthly for more information and possible changes. All material and want ads must be submitted to the editor by the 20th of the previous month that material is to appear. Permission is hereby granted to other club publications to reprint material from "The Sidelight" provided that credit is given. All phone numbers listed in the Sidelight are area code 716 unless otherwise stated.

From the Editor: With the lack of social events for the club, I don't have any photos to create picture pages. This does however give me a chance to catch up on stories and other items that I have been saving for just the right moment. I hope you enjoy what I have selected for this month. As always, I am willing to accept articles that you have written. Previously published articles from other sources are more difficult to reprint as I need to obtain permission.

We do still have washable, reusable face masks for sale. They are \$5 each and we will mail them out if you include \$1 for P&H. All proceeds go the LER. Of course, they will be available when we get to meet again.



Since there weren't any scheduled events for November, there is no local attendance report.

**JANUARY
ANNIVERSARIES**

Donald & Marie Ulrich - 30
Happy 50th anniversary to Jim &
Maryann Sandoro this past October.

ON THE COVER

Paul Schrader's 1972 Monte Carlo

The 1972 Monte Carlo was located at the Spring Carlisle event in 2006. I purchased it a few days later and have been enjoying it ever since. The car was built at the Kansas City plant, and was originally purchased through G & K Chevrolet Inc. in Downers Grove, Illinois. It's a numbers matching big block 402 and came with the build sheet. The car traveled from Illinois to Colorado, to California and back to the East Coast. I am the fourth owner and received a lot of service and maintenance paperwork from the previous owners. It's a fun car!

NEWS & NOTES

Dennis Upton would like your copy of the AACA Magazine from May/June 2020 if you are going to get rid of it. He would like extra copies of the article on his Ford formerly owned by Lowell Todd. Please contact Dennis at 773-5847 if you have one for him. Thank you.



PRESIDENT'S MESSAGE

Happy New Year! Let us hope 2021 is better than 2020! This will be my last President's message as Cliff Schulz will be your new President for 2021. Looks like we will probably be cancelling most of our indoor meetings until at least April. Our May Rustbuster is still on the schedule as is the Annual Car Show in June. Hopefully by then we will be out and about to move more freely. Please stay updated by reading the Sidelight when you receive it. Also, get in your reservations for our club events on time and when a club member calls on you to volunteer at our annual car show please say YES! You should have also paid your National AACA dues and our local dues to continue to be a member of LER.

This year was very strange, but I still would like to thank all the Board members for their work this year for

Al Forster wrote that monthly Cruise Nights have returned to The Villages, Florida. It has been 9 months since the last Cruise Night here. Ron Billo brought his '67 Ford Mustang and I brought my '65 Ford Mustang and '76 Cadillac DeVille. It was a great afternoon and evening

the club. We had a late flurry of ice cream runs that were put on at the last minute and want to thank all the members who participated.

An event to look forward to is the AACA Spring National in Saratoga Springs NY June 18 to 20, I know a bunch of members are thinking of going as this is about 275 miles from Buffalo. It looks like there are limited hotels in the area and the rates are more than the usual \$100. The host region's website shows the host hotel as the Gideon-Putnam Hotel & Spa. Their normal rates are about \$400 a night but by using the Code 9NE73Z the rate is \$169.

Thanks again...

Tim

with live music, busy restaurants and lots of people wearing masks and being socially distant. Currently there are no yellow, orange or red zones in The Villages.

Editor's note: I received this message from Al late in November, so it did not make the December issue.



ACTIVITIES REPORT

Please remember, if we have an event, to sign up early and to treat your club mates with respect and consideration.

Please be advised that all upcoming events are pending cancellation due to the current affairs with the Coronavirus. Everyone's health and well-being are of the utmost importance. Please stay safe and take care.

We look forward to a better 2021 season.

We are sad to announce that the January Installation Banquet is cancelled.

February 14th meeting is tentative.

March 14th meeting is tentative.

April 11th meeting is tentative.

When we start up again, we will need volunteers, helpers and ideas for club-sponsored events. If you are interested in sponsoring, co-sponsoring or helping out at an event, please contact Lynelle Schloerb or Chuck Weimer.

Chuck Weimer Activities Co-Chairmen

Sympathies To: Candace Reed on the loss of her brother.
The family of LER member James Greco on his recent passing.

Welcome to our new members

Leonard & Sally Sayward

1932 Chevrolet 2 Dr. Sedan
1935 Plymouth Convertible
1940 Chevrolet Special Deluxe Convertible
1957 Chevrolet 210 2 Dr. Sedan
Sponsored by William Gailie



Glenn & Denise Williams



1967 Pontiac Tempest
Custom Convertible
Sponsored by Ken Knoll



Here is another flash from the past from the Wilson Archives. I was driving in a parade alone, in my '24 Overland roadster. (Lon was probably photographing a wedding) and Roger Ware was following me. I have no idea what year or who gave me this picture, but I do remember going out to dinner after the parade. Obviously after dinner, it was dark outside and since candles may have been brighter than my headlights, Roger followed me all the way home to make sure I got there OK. My, how things have changed. I no longer own the Overland, but it is still in the area and my parents now own the '55 Ford. Valerie Wilson

HAPPY

2020



Let's hope it is better than last year!

BRIGHTON OPTICAL AND CONTACT LENS CENTER

875 BRIGHTON ROAD, CORNER EGGERT ROAD
TONAWANDA, NY 14150
www.brightonoptical.com

DAVID SCHMIDT, JR.
Licensed Optician
Contact Lens Practitioner

TELEPHONE
832-0296

Since page 4 is always the activities page, here is another item revived from the past.
 This one is from June of 1985 and the answer is elsewhere in this newsletter.

THE WORLD OF CARS

SOLUTION 47 LETTERS

(SUBMITTED BY LEN K. FROM JUNE '85)

T	H	Z	W	D	W	C	E	P	O	P	H	T	U	O	M	Y	L	P
F	A	T	I	H	N	W	H	E	L	I	B	O	M	S	D	L	O	C
I	Y	U	I	S	I	A	S	R	E	M	L	A	H	C	D	R	O	C
W	N	T	F	N	O	P	L	R	Y	D	M	D	M	G	S	M	O	I
S	E	S	T	C	B	D	P	R	J	S	E	E	A	C	E	N	X	R
Y	S	O	T	O	A	L	R	E	E	A	L	C	H	T	O	E	C	T
R	N	A	N	A	R	L	F	E	T	V	B	E	S	M	S	R	H	C
U	O	D	A	P	N	F	L	N	X	P	O	D	R	S	O	U	A	E
C	E	T	O	E	E	L	T	I	I	F	D	A	E	S	R	U	N	L
R	L	C	O	R	A	K	E	E	D	R	M	S	S	I	V	A	D	E
E	C	M	Y	S	T	A	R	Y	R	A	N	O	O	M	A	D	L	T
M	A	T	A	O	E	C	E	I	A	N	C	A	N	R	S	I	E	I
S	R	L	N	N	E	D	I	T	D	K	K	C	I	U	B	V	R	O
Y	A	D	R	A	K	C	A	P	N	L	I	N	C	O	L	N	S	R
L	T	A	R	E	R	I	R	R	A	I	O	U	M	E	T	Z	L	T
L	S	R	B	G	F	U	E	N	T	N	M	P	A	I	G	E	L	E
I	O	I	E	F	O	R	D	C	S	H	U	I	G	E	G	D	O	D
W	I	N	T	O	N	O	S	D	U	H	A	H	C	R	O	H	R	N

CIRCLE LETTERS ONLY, NOT THE WORD.

WORDS ARE HORIZONTAL, VERTICLE, DIAGONAL, & BACKWARDS.

THE ANSWER WILL BE SPELLED OUT FROM LEFT TO RIGHT WITH THE UNCIRCLED LETTERS.

- | | | | |
|------------------|-----------|--------------|----------------|
| APERSON | DAVIS | MERCURY | REO |
| B.S.A. | DOBLE | METZ | REX |
| BUICK | DORT | MARMON | ROSS |
| BOND | ESSEX | MOON | SWIFT |
| CADILLAC | ELCAR | M.G. | SAAB |
| CHANDLER | FRANKLIN | OVERLAND | STAR |
| COMET | FIAT | OLDSMOBILE | STANLEY |
| CORD | FORD | OAKLAND | STUTZ |
| CHRYSLER | HAYNES | PIERCE ARROW | STANDARD |
| CHALMERS | HUDSON | PORSCHE | WILLYS |
| DETROIT ELECTRIC | HUPMOIBLE | PACKARD | WINTON (IN TWO |
| DATSUN | HORCH | PAIGE | PLACES) |
| DODGE | JEFFERY | POPE | WHITE |
| DURANT | LINCOLN | PLYMOUTH | WHIPPET |
| DESOTO | LASALLE | ROLLS | ZIS |



The Kingpin! By Bob Morris

If your old Cadillac was built before the 1957 model year, the front suspension probably has kingpins. If you worked on your car and had the occasion to replace the kingpins, as in most cases you had to really hammer to get them out. Well, look at the pictures, this one was falling out.

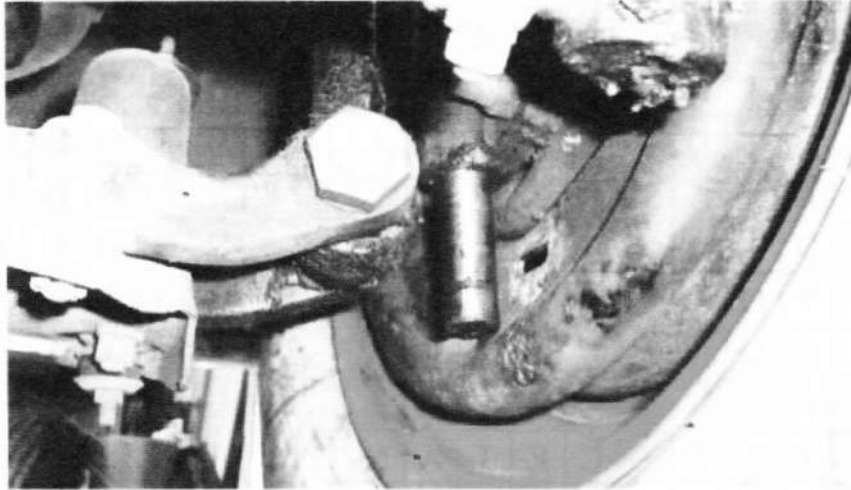
Late in July 2004, a friend who owned a 1937 LaSalle Convertible Coupe with rumble seat asked me if I could do some work on the car. It seems that some friends

had sort of indicated that if you have a car that old, then go see the "old guy". In fact, at the time there was a comment made that I was so old that I didn't know what automatic shift was. Anyway, the car showed up in my driveway late on a Saturday afternoon in August. One of the things I was going to do was install a heavy-duty battery cable on the car. Those of you unfamiliar with the '37 Cadillac and LaSalles, the battery is located under the driver's seat with a battery cable that is more than 5' long. The car had starting problems especially when hot. To help alleviate the problem I was going to install a heavy-duty ground cable from the battery to a starter mounting bolt. I soon realized that I was going to have to remove the right-hand splash shield.

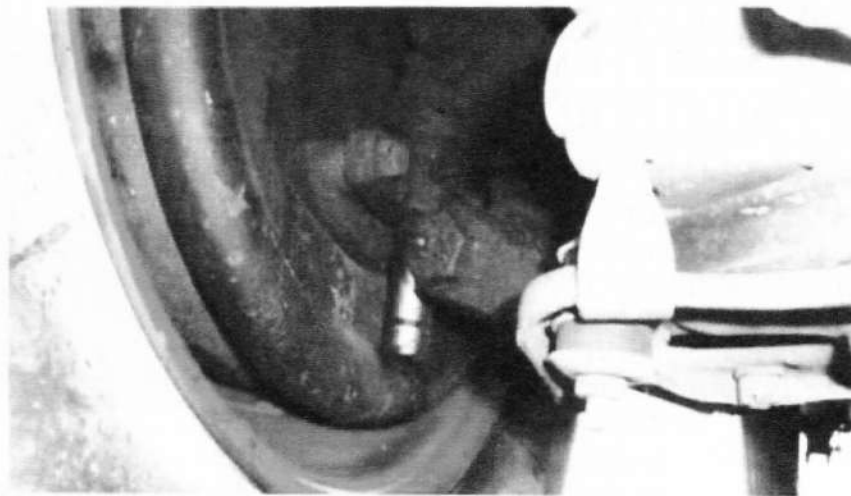
While removing the screws on the shield I turned my head to the left to get the forward screw and --- I stopped. I looked and looked, and I couldn't believe what I was looking at. The kingpin was hanging down out of the knuckle assembly. In fact the only reason it had not

come all the way out is the fact that the curved edge of the brake backing plate had stopped the kingpin. The best part is that the owner had driven the approximately 50 miles that day at speeds up to 50-55 mph. They had a large family reunion that day and had given a lot of rides to family members.

I crawled out from under the car, jacked up the right front wheel, pulled the wheel and took a look and founds that the locking pin was extended from the knuckle



1937 LASALLE CONV



approximately an inch and a half. Looking at it and the amount of dirt on it that it was apparent that it had been like this for quite some time. NOTE: The car had a current NYS inspection. Probably the one thing that had kept the kingpin in place was the bottom dust cap. The apparently fell out and from there the kingpin fell out.

After removing the lock pin and driving the kingpin back into position the lock pin was installed the new dust caps put in place. I lubricated the assembly, re-installed the wheel and took the car out for a test drive. Everything was fine.

I've seen tie rod ends fail and come apart and also ball joints, but I have never seen a kingpin fall out.

After re-installing the kingpin, I also noted that the tie rods ends did not have cotter pins installed and checking found that the nuts on the tie rods weren't even tight.

How is your suspension? When you have your antique car inspected, does the individual doing the inspection know what they are looking at?

Keep it safe!

An extraordinary '39 Dodge and it's extraordinary owner.

By Paul Beyer

What do you think the life expectancy of a 1939 Dodge would be, 100,000 miles? 20 years? Sounds reasonable. Now for a true story that exceeds the imagination.

Marshal Larrabee of Skaneateles was in the wooden toy making business. In 1940, he bought a six-month-old '39 Dodge that had been a dealer's demonstrator. He removed the trunk and installed a wooden pickup bed so he could haul lumber from a mill in Auburn to his toy factory in Skaneateles, making about three trips a day.

Auburn is about 10 miles from Skaneateles and he did this for over 30 years. Do the math!

Sometime around 1995, Howard Miller received a phone call from Marshal's daughter in Florida (having obtained Howard's name as our club President from the AACA), asking if he wouldn't mind evaluation the condition of a '39 Dodge her father wanted to sell in Skaneateles. Howard called me and we made the trip together to Marshal's home.

He told us the speedometer was broken but he estimated the mileage was over 400,000 miles. The car was on its 4th engine, transplanted from a '53 Plymouth. Chrysler Corporation used the same basic six-cylinder engine for over 20 years so the Plymouth transplant was a natural fit. Other than the trunk, the engine and a sealed beam headlight conversion, the car was all original but in deplorable condition.

There wasn't a straight piece of sheet metal anywhere, the floor and trunk were rotted out, both helper springs in the rear were broken and the glass was clouded from age and moisture. If Old Cars Price Guide classified a parts car as a number 6, this might possibly have been a number 7.

I wouldn't say it was beyond restoration but you would have to hit the

lottery for the money if would take to restore it.

Marshal passed away several years ago and we don't know whatever happened to this '39 Dodge, but this has got to be one of the best success stories of a car's longevity. (with commercial usage at that!) Did this car haul 4000 tons of wood over a 38-year period? Quite possibly.

(See related story below)

From The Post Standard, March 4, 1998

BLOCK GRANTS

■ **Thirty-eight years of donations amount to 4,000 precious tons of wood — and priceless memories.**

Eight million pounds is a lot of wood, potentially worth a lot of money. Yet that's how much Skaneateles toy factory owner Marshal Larrabee donated faithfully to teachers and educational groups for 38 years.

It's no wonder the New York State Art Teachers Association honored Larrabee, now 90 years old, for his generosity with a merit award during a recent luncheon in Cazenovia.

They are laudable moves by both parties — Larrabee's donations and the association's gesture of thanks. "We wanted the children to have the opportunity to use their own minds to create things out of abstract ideas," Larrabee said of the wood scraps left over from toy-building. "And we had the material, so we were glad to give it away."

Thanks to Larrabee, many area students have been able to explore

the depths of their creativity and imagination in ways that educate them about art as well as themselves and their potential.

It also helped relieve many teachers and schools whose budgets did not allow for the purchase of wood for art projects.

Skaneateles Handicrafters, now known as T.C. Timber, gave away up to 80 boxes containing 45 to 50 pounds of wood per week, Larrabee said. He donated from 1942 to 1980, when he sold the company.

"The value of the scrap is absolutely phenomenal," Larrabee said, smiling at works of wooden art done by Auburn's Genesee Elementary School. "They are all creations that mean something to some youngster."

And the gesture of giving — that has lasted four decades — means something to them as well.

Paul Beyer is a member of Oneida Lake Region, AACA and a close friend of the Cryan family.

We regularly exchange newsletters with his club.

Answer to word search: **FORD MODEL A CARS AND TRUCKS MADE IN RIVER ROUGE MICHIGAN**



Old Papers Found, Memories Abound

By Jack Pavie, Sumneytown, PA, jack.pavie@gmail.com

From the AACA November 2020 Speedster

I suppose being locked up in the house during this coronavirus episode has a little bit of a silver lining for me. I was sorting through some boxes of old papers and found window stickers and brochures for several vehicles that I bought new some years ago. I usually buy used vehicles, so I suppose I felt it was important to save that stuff. I'll share a couple of the vehicles with you.



In 1978, I went to my local VW dealer and ordered a diesel Rabbit. In those days, you had to wait around 6 months if you wanted the diesel. I paid \$5,584.50 for it. My dad thought it was incredible that I would actually pay that much for a small car. Diesel had been slightly cheaper than gasoline around that time and the Rabbit gave me 50+ MPG. I did a lot of driving for my job and the VW worked out really well for me. I drove it almost 300,000 miles before the rear axle loosened due to rust. This was the first of three Rabbit diesels I would go on to own. What economical workhorses they were!

My company sent me to Atlanta for a couple weeks and I lost my brakes while driving the city's outer loop one night. Is anyone familiar with what traffic is like on I-285 at evening rush hour? It's crazy busy! My emergency brakes got a workout until I was able to find a repair shop at the top of one of the off-ramps. They thought they had diagnosed the issue and the next day they went ahead with replacing the master cylinder. But they couldn't understand where almost 2 gallons of brake fluid they were adding had gone until they saw a pool of the stuff inside the car. It wasn't the master cylinder as they had suspected but a broken brake line that VW routed under the rug behind the driver's seat. And yes, of course, it was winter and I had to drive back to Pennsylvania with the windows open and the heater on high.

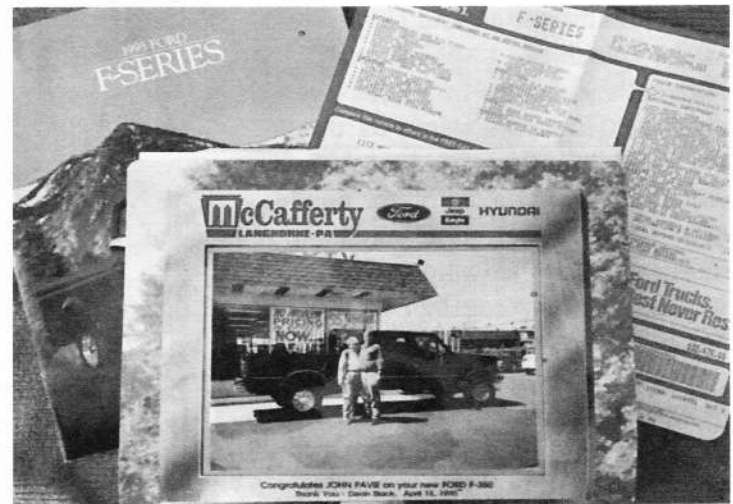
My last Rabbit was a 1980 diesel pickup that I'd bought used. The engine would occasionally turn an ordinary trip on the PA Turnpike into something more exciting. It would start sucking crankcase oil and propel me to higher speeds while blowing an amazing smokescreen out the back. The magic number for it to happen seemed to be 59 MPH. Turning the ignition off had no effect so I had to leave it in 4th gear and brake enough to make it stall. After waiting a while, I could restart and it would be okay. VW said they had a safety recall kit available, but it didn't apply to my year and they wanted to

sell me the fix. Being young, stubborn and stupid, I refused to buy it.

Sometime later, and totally unrelated to the runaway engine issue, as I was driving near Philadelphia, I experienced a head-on as someone suddenly made a left turn in front of me. That brought an end to driving small cars for me. And, in addition, I now drive with headlights on at all times.

Another vehicle I bought new was a 1995 F350. It still serves me well and in fact turned 25 this year. The truck has the 7.3L diesel made by International (not Ford), four doors, eight-foot bed, and four-wheel drive. It's big! I have a slide-in camper that comes in handy at Fall Hershey time.

I bought the truck from the McCafferty Ford dealer in Langhorne, PA. He was the only dealer that was able to let me spec out and place the order to Ford for some reason. Other



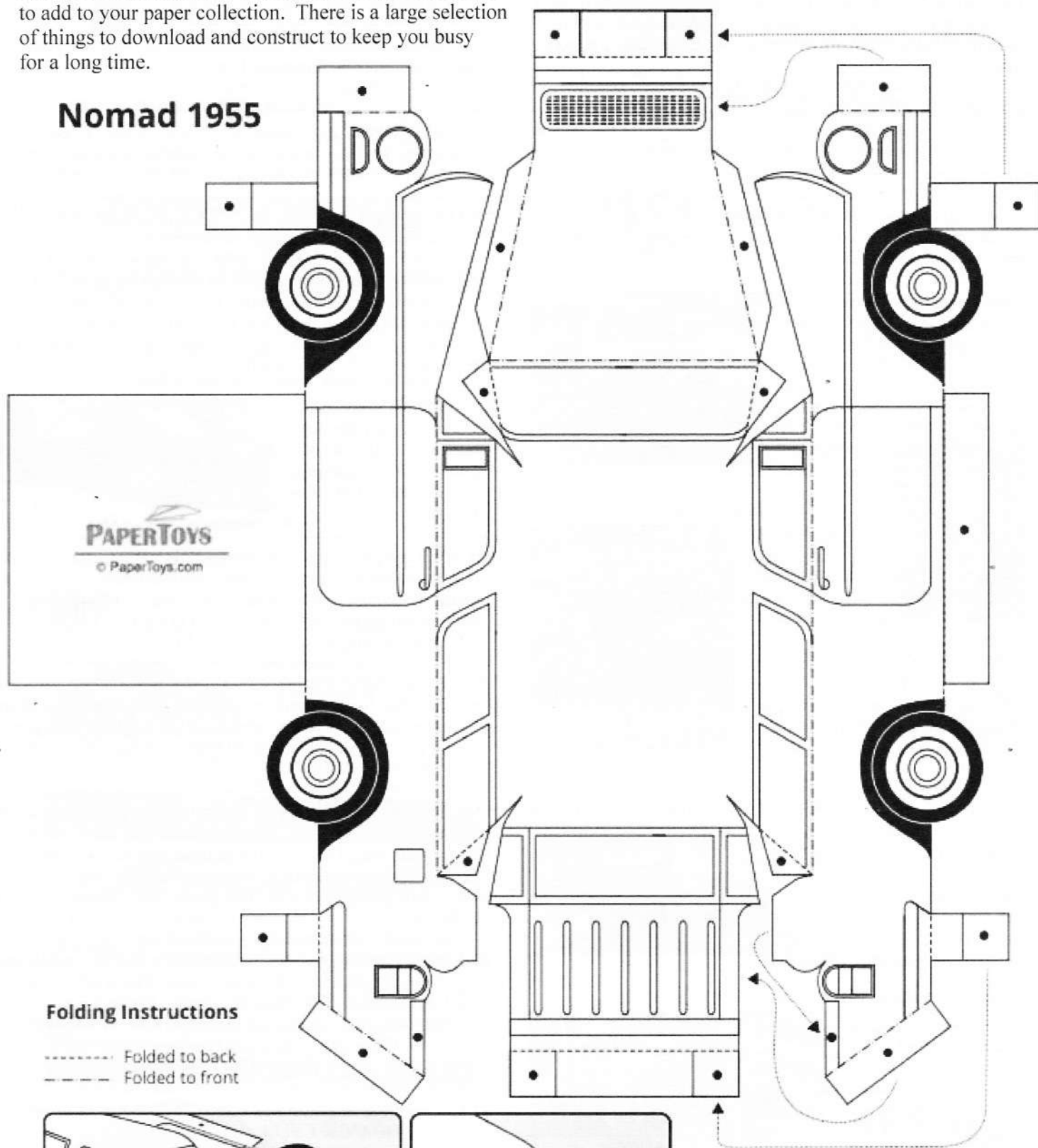
dealers wanted me to shop what they had sitting in their lots. (Note: While in search for the perfect truck, I came across a new crew cab and super cab combo F350 parked in Red Hill Ford's lot. I wish I had taken a photo as I've never seen another truck like it since.) McCafferty is still there so I'm hoping my wife and I can pose for a photo, 25 years later, some nice day when we're all eventually allowed back out and about.

A funny incident I had with the truck was when I was surf fishing in Hatteras, NC, one summer and came off the beach to go to a store. When I returned there were a couple people lying under the truck. What? Turns out they were from France and they just HAD to get down for a real close look. I've been to Paris and I do remember seeing mostly Minis and Smart Cars parked bumper against bumper on the side streets. Not much room there for anything larger, so I could understand their curiosity.

During another stay in Hatteras, the vacuum pump failed and I lost the brakes. I coasted into the local repair shop whereupon the owner told me he didn't like Fords. Another. What? He did allow me to use his phone to call NAPA for a new pump and he also let me use his tools to install the new part. Most of the folks I've met there would give you the shirt off their back if you needed it, so I guess that guy really did harbor a dislike for Fords! Better buy something else if you plan on moving there, although I believe he's possibly no longer in business.

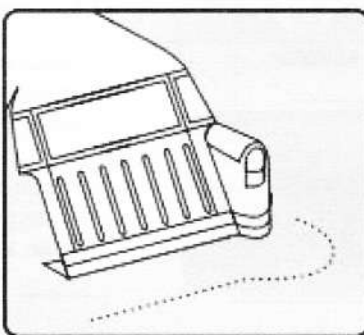
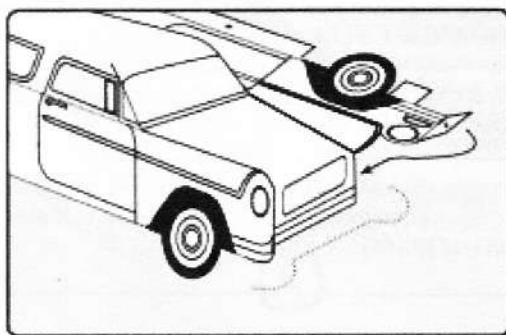
If you are really bored, you can copy, color and cut out this image to build your own Chevrolet Nomad. You can also go to Papertoys.com to see what else you might like to add to your paper collection. There is a large selection of things to download and construct to keep you busy for a long time.

Nomad 1955



Folding Instructions

- Folded to back
- Folded to front



SIDELIGHT TREASURES

These ads can also be viewed at www.lakeerie.aaca.com. Ads are free for members. Ads from non-members must be submitted by a current member. Ads run for at least 3 months. Phone numbers are area code 716 unless otherwise noted.

AUTOS FOR SALE

'16 Chase Fire Truck, Cheektowaga's first motorized fire truck, major restoration started, some new parts, \$16,000 or best offer, info to Steve: 823-0526 or cell: 335-0728. Lead from Jeff Cryan (1)

'28 Ford 2 dr all steel body, no fenders, street rod, excellent roof, window glass, visor, doors, black, green body stripe, interior, tilt wheel, auto, 350 Chevy 4 bld headers, open, engine, disc brakes, 9" rear, \$22,000 Bob Hartinger 783-4378 (2)

'29 Sedan, Jaguar suspension front & rear, 283 cu in Chevy motor, Turbo 350 trans, Lokar shifter, Power windows/ seats/ brakes, 4-wheel disc brakes, Ford gauges, 2" chopped roof, Alum wheels, Interior by Z-Best, Orig '29 body, \$25,000 Peter Gentile 433-1039. Lead from Dennis Upton (1)



'29 Roadster, Jaguar suspension Front & Back, 4 Wheel Disc-Brakes, 327 cu.in Chevy Motor 1968, Multi Disc. CD Players, Turbo 350 GM Trans, Dolphin Gauges, Sanderson Headers, Brookville All Steel Body, Lokar Shifter, Custom 2" Drop Conv Top, Interior By Z-Best, Torque Thrust Alum. Wheels, Power Seat [American Racing]/ Steering /Brakes /Rumble Seat, \$25,000 Peter Gentile H-433-1039, C-523-3887, C-523-2354 Lead from Dennis Upton (1)



'30 Ford Tudor deluxe sedan, beautiful interior, side mounted spare/cover, luggage rack /trunk, winged motometer, radiator screen. Not show car but nice driver \$15,000/BO Car is in South Carolina. Bruce Trilling 803-942-1540: Musket1234@aol.com Lead from Bob Nash. (2)



'41 Ford standard tudor sedan, flathead V8, radio, heater, a beautiful car \$16,900/BO. Car in South Carolina. Bruce Trilling 803-942-1540: Musket1234@aol.com Lead from Bob Nash. (2)



'41 Ford super deluxe convertible coupe, '98 AACA First place Jr award winner, red leather interior, radio, heater, WWW, flathead V8 \$42,000/BO Car is in South



Carolina, Bruce Trilling 803-942-1540: Musket1234@aol.com Lead from Bob Nash. (2)

'57 Chevrolet Nomad, southern car, frame up resto, 283 4 speed, newer paint, chrome, interior, tires, etc, \$49,000 Ken Weinstein, nites 689-6888 (1)

'60 MGA Conv., red, miles unknown, rebuilt motor, carbs, everything, new steering wheel, new weatherstripping, stored in a garage, \$13,000/BO John Kraus, cell - 983-8972; h - 568-1466 (1)

'69 Oldsmobile 442, miles unknown, 442 package includes special seats-2 bucket, 1 rear, have an additional black set in excel cond, rebuilt 445 engine painted-out of car, duel exhaust, original stripped duel hoods, coupe, new: correct grill/ correct emblem, complete weather stripe kit includes-doors, trunk, complete new rear shelf, no air conditioning—never had it!. Truck Engine did the rebuild, Southern car, needs assembly, \$14,900 or best offer, John Kraus, cell - 983-8972; h - 568-1466 (1)

'73 Centurion conv, triple black, all orig, paint, top, interior/ with 42,000 miles & air conditioning, \$17,500. 864-9109 Dave Pera (2)



'76 TR6 Conv, red, appr. 33k miles, one paint, new conv top, new weather stripping, complete new upholstery-seats, door panels, caret, floor mats, embroidered TR6 mats, rebuilt duel car carburetors, ignition, wires, etc., stored in a garage \$14,000 or best offer, John Kraus, cell - 983-8972; h - 568-1466 (1)

'79 Z28 blue, approx. 24k miles, Carlisle PA Best of Show Award, all original "Survivor", paint, Uniroyal Tires, show tires-an additional set of brand new on almost identical Uniroyal tires, rims powder coated grey stored in a garage, \$18,000 or best offer, John Kraus, cell - 983-8972; h - 568-1466 (1)

'81 Z28, approx. 32k miles, white with t-roofs, special one year only red interior, new vinyl door covers in package, car still has original door covers, orig AM/FM radio included, custom 1981 red velour, mostly original white paint, Goodyear raised letter tires, stored in a garage, \$15,000 or best offer, John Kraus, cell - 983-8972; h - 568-1466 (1)

'06 Mini Cooper shipped from England. BMW engine. Fully loaded. 5sp. Heated Seats. Phone Bluetooth Audio. Harmon Speakers. Ice Cold Air Conditioning. New Tires/Brakes/Brake Lines. Reg Oil Changes. Car fully Maintained by K& A Auto Service. \$4500.00 Firm. Call Diane 603-6638. Lead from Lon Wilson (1)

AUTO MISC FOR SALE*

'34 License plates in almost new cond. \$75; & 5 lug trailer wheel & tire 205/75D-14" free Call Lee 662-7557 (1)

'49-80 seatcovers for bench seat cars, plaid or striped \$130 car, hogrings, Ken Weinstein, nites 689-6888 (1)

I have many copies of AACA Antique Automobile Magazine dating back to the '60s. If anybody wants them, please call me, Barney Platzer, at 983-1539. (4)



MUFFLERMAN

3311 Delaware Ave.
Kenmore, New York
(716) 873-0440

Mon & Thurs 9-8 pm, Tues, Wed & Fri 9-6 pm, Sat 9-2 pm
Custom Bending, Stainless Steel, Shocks, Struts, and Coil Springs

elma press

Complete Printing Service

5751 Clinton Street • Elma, New York 14059
email: printing@elmapress.com
716/683-6812 • fax 683-5037

Affordable INSURANCE

Joe Bantelman, CIC
Agency Principal

joebcic@affordableinsuranceinc.net
p 716.338.4224
t 855.232.AUTO (2886) Auto ■ Home ■ Commercial ■ Life



31 Knox Road
East Aurora, NY 14052
www.affordableinsuranceinc.net



Towne Volkswagen • Audi Buffalo
5255 Genesee Street
Bowmansville, NY 14026
www.towneauto.com
716-683-3343

O 716-206-3031
C 716-381-7220
F 716-683-3391
E tshantler@towneauto.com

Tom Shantler
Brand Specialist



CAR SHOP NORTH



All we do are
Customs • Street Rods • Classics
RESTORE, BUILD or FINE TUNE Your Ride

Tom Grimm, Sr. Tom Grimm, Jr.

2986 Niagara Falls Blvd. PHONE (716) 694-0888
Wheatfield, NY 14120

You should see what we can do!



Providing materials for smoother roads for your antique cars for over 50 years!

Contact us at
(716)532-3371
www.gernatt.com



KENNETH M. WEINSTEIN

*Certified Public Accountant
Certified Financial Planner*

1450 NIAGARA FALLS BLVD. E. AMHERST HOME OFFICE
TONAWANDA, NY 14150 TEL. 716-689-6888
TEL. 716-837-2525 EMAIL: kweinsteincpa@gmail.com
FAX 837-2527 WEBSITE: WWW.KENNETHWEINSTEIN.COM

SECURITIES OFFERED THROUGH AVANTAX INVESTMENT SERVICES™ MEMBER SIPC.
ADVISORY SERVICES OFFERED THROUGH AVANTAX ADVISORY SERVICES™
6333 NORTH STATE HIGHWAY 161, FOURTH FLOOR, IRVING, TX 75038 (972) 870-6000

WEST HERR NEW YORK

KEN EDWARDS
Sales Manager

West Herr Chevrolet of Orchard Park
3575 Southwestern Blvd
Orchard Park, NY 14127

(716) 662-9775
(716) 662-2989 Fax
(716) 861-5721 Cell

kenedwards@westherr.com



westherr.com

BMW
Buick
Cadillac
Chevrolet
Chrysler
Dodge
Ford
GMC
Honda
Infiniti
Jaguar
Jeep
Kia
Lincoln
Mercedes-Benz
Nissan
Ram
Sprinter
Subaru
Toyota
Used Cars
of Amherst
Used Car
Outlet



Always There For You! ERA

HUNT Real Estate ERA
5570 Main Street
Williamsville, NY 14221
2835 Sheridan Drive
Tonawanda, NY 14150

Mark Brylinski

Licensed Associate Real Estate Broker
Charles S. Hunt Founders Club Member

ofc: (716) 633-0300
cell: (716) 390-9500
fax: (716) 880-1570

mark.brylinski@huntrealestate.com
www.markbrylinski.com



RAYMOND ODE
(716) 876-1330



2575 Elmwood Avenue
Kenmore, New York 14217

Fax: (716) 447-9456 Email WaltGarage@Gmail.com

"A" Best Inc.

===== Roofing • Siding • Builders =====

Edward Arida

7 Payne Avenue • N. Tonawanda, NY 14120 • 692-4517

DAVE SMITH



Eric Hartz
New Car Sales Manager



Main: 716-634-2000
Fax: 716-634-0937
ehartz@davesmithford.net

4045 Transit Rd
Williamsville, N.Y. 14224
www.davesmithford.net

FIRST CLASS

The Sidelight

FIRST CLASS

JANUARY	S	M	T	W	T	F	S
						<small>happy new year!</small>	2
	3	4	5	6	7	8	9
	10	11	12	13	14	15	16
	17		19	20	21	22	23
	24	25	26	27	28	29	30
	31						

Calendar of Events
 Jan 1 – New Year’s Day
 Jan 18 – Martin Luther King Day
 No other events planned at this time.
 All other events are pending or have been postponed until further notice. Stay tuned for further updates.

A Service Worthy Of Your Consideration



LESTER H. WEDEKINDT, INC.
FUNERAL HOME

3290 DELAWARE AVENUE Phone 716-877-7979
 KENMORE, N.Y. 14217 Fax 716-877-7980

SLEAP INSURANCE AGENCY LLC 

Auto • Home • Life • Defensive Driving

Robert E. Sleap, Jr.
 1940 Eggert Rd
 Amherst, NY 14226
 (716) 874-3800
 FAX (716) 835-7808
 robert.sleap@fhsgroup.net




REGAN'S
 STOCK AND CUSTOM
INC.

Collision Repair • Painting • Auto & Truck Accessories
 71 Cooper Avenue • Tonawanda, NY 14150
 (716) 877-8000 phone • (716) 877-8008 fax
 www.regansstockandcustom.com

 **RONALD J. PAPA, SPPA**
 PRESIDENT

ONE NFA PARK, AMHERST, NY 14228-1187
 (716) 689-7700 • TOLL FREE: 1-800-632-7272
 FAX: (716) 689-7768 • CELL: (716) 583-7272
 E-MAIL: RPAPA@NFA.COM
 WWW.NFA.COM

NATIONAL FIRE ADJUSTMENT CO., INC.
 LICENSED ADJUSTERS FOR THE POLICYHOLDER
 FRANK R. PAPA, J.D., CHAIRMAN




Valerie Wilson – Editor
 235 Villa Ave.
 Buffalo, New York 14216-1308

FIRST CLASS



ANTIQUE AUTOMOBILE
 CLUB OF AMERICA, INC.
 LAKE ERIE REGION

